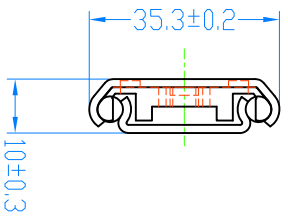
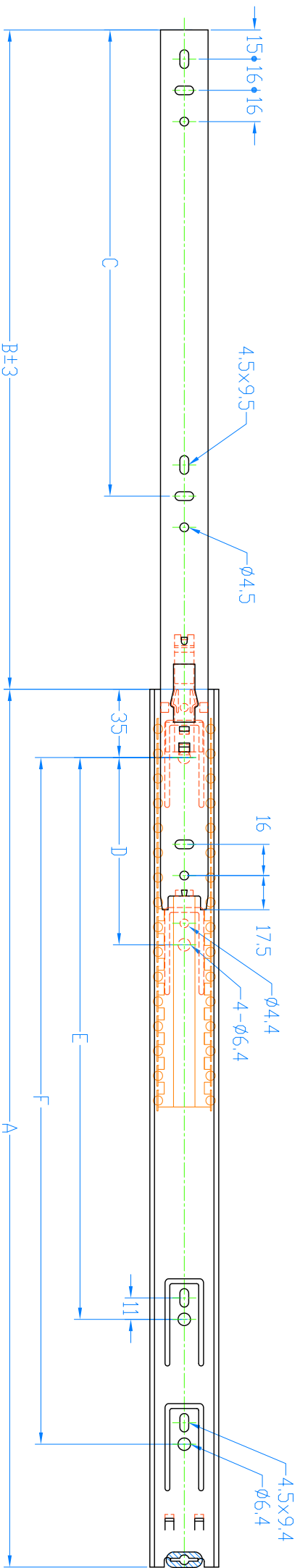
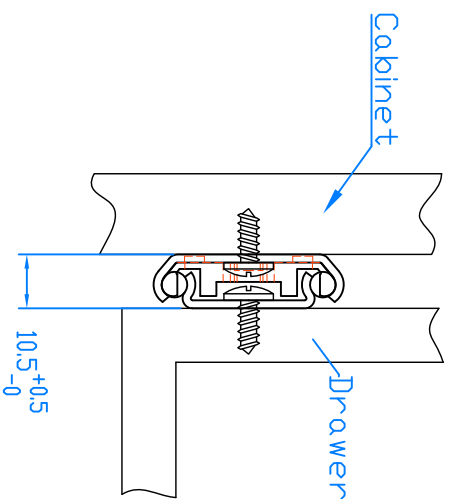


Profile



t=1.5mm

instruction



Item No.	Slide Length Slide Travel		C (mm)	D (mm)	E (mm)	F (mm)
	A (mm)	B (mm)				
2138-12	300	203	158	-	160	-
2138-14	350	262	183	-	192	-
2138-16	400	303	215	96	256	-
2138-18	450	353	239	96	288	-
2138-20	500	381	265	96	320	-
2138-22	550	419	290	96	320	416
2138-24	600	457	315	96	320	448
2138-26	650	495	341	96	320	480